



SQH6020S SERIES ~ Low Profile Semi-Shielded Inductors



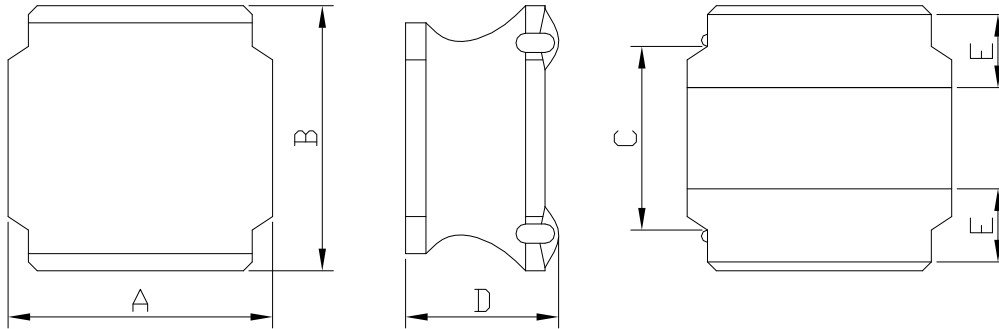
PART NUMBERING SYSTEM

(AEC-Q200)

SQH	6020S	—	150M	—	LF
TYPE	DIMENSIONS		INDUCTANCE		LEAD FREE

SHAPES AND DIMENSIONS

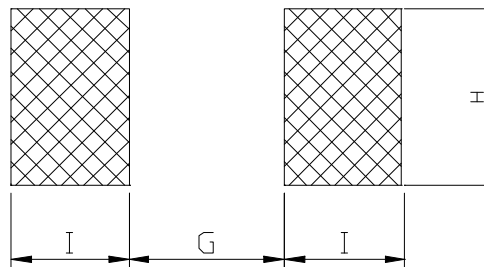
UNIT : mm



A=6.2 Max. B=6.2 Max. C=4.0 Ref. D=2.0 Max. E=1.35±0.2

RECOMMENDED PATTERNS

UNIT : mm



G= 3.10 H= 5.70 I = 1.60

FEATURES

- * Low profile and small inductors (6.2mm Max. square and 2.0mm Max. height)
- * Magnetically shielded construction and high current
- * Ideal for DC-DC converter choke coil for portable equipments (DVDs , DSC , Cellular , PDAs)
- * RoHS compliant option with lead free

SQH6020S SERIES ~ Low Profile Semi-Shielded Inductors



SPECIFICATION TABLE

(AEC-Q200)

PART NUMBER	INDUCTANCE (μ H)	DCR (m Ω) (Max.)	Isat (A) (Max.)	Irms (A) (Max.)	TEST FREQ. (f)
SQH6020S-0R8N-LF	0.8 \pm 30%	26.0	5.50	3.80	100KHz
SQH6020S-1R5N-LF	1.5 \pm 30%	33.8	4.00	3.20	100KHz
SQH6020S-2R2M-LF	2.2 \pm 20%	44.2	3.20	2.70	100KHz
SQH6020S-3R3M-LF	3.3 \pm 20%	52.0	2.80	2.60	100KHz
SQH6020S-4R7M-LF	4.7 \pm 20%	75.4	2.40	2.00	100KHz
SQH6020S-6R8M-LF	6.8 \pm 20%	110.5	2.00	1.80	100KHz
SQH6020S-100M-LF	10 \pm 20%	162.5	1.70	1.40	100KHz
SQH6020S-150M-LF	15 \pm 20%	208.0	1.50	1.25	100KHz
SQH6020S-220M-LF	22 \pm 20%	377.0	1.05	0.95	100KHz
SQH6020S-330M-LF	33 \pm 20%	390.0	0.95	0.84	100KHz
SQH6020S-470M-LF	47 \pm 20%	663.0	0.85	0.74	100KHz

- Isat : DC current at which the inductance drops 30%(typ) from its value without current.
- Irms : The temperature rise current value is the DC current value having temperature increase up 40°C temperature rise from 25°C ambient.
- Operating temperature range -40°C to +105°C , Electrical specifications at 25°C .